

StereoBlue

HIGHLIGHTS

- Designed for professional use
- Crisp, high resolution images
- Provided with APL (Anti-bacterial Protection Layer)
- Robust and sturdy
- Dual magnifications or Zoom models
- Available with ergonomic rack & pinion, pillar, universal (single arm) and boom stand (dual arm)
- LED illumination
- High zoom range models available (EVO)
- Ergonomic carrying grip
- 5 years warranty

TECHNICAL SPECIFICATIONS

EYEPIECES

Pair of WF10x/21 mm secured eyepieces supplied with eyecups

HEAD

- Binocular or trinocular 45° inclined tubes
- Diopter adjustment on both eyepieces, except the models SB.1302-P/1402-P and SB.1302/1402, which have diopter adjustment on one side
- Interpupillary distance adjustable between 55 mm and 75 mm
- Trinocular head is supplied with a fixed light path beamsplitter (50:50)

All optics are anti-fungus treated and anti-reflection coated for maximum light throughput

DUAL MAGNIFICATION MODELS

- Nosepiece with dual 1x/3x or 2x/4x revolving objectives
- Magnifications 10x/30x or 20x/40x (can be enlarged to 135x)
- Field of view 21 mm/6.9 mm or 10.5 mm/5.2 mm
- Working distance 100 mm

ZOOM OBJECTIVES PARFOCAL

| Zoom range | Magnification | Field of view | Working distance |
|--------------------|---------------|-------------------|------------------|
| 0.7x to 4.5x | 7x to 45x | 29.9 mm to 4.6 mm | 100 mm |
| 0.5x to 5.5x (EVO) | 5x to 55x | 38 mm to 3.9 mm | 100 mm |

STANDS

- The rack & pinion and pillar stands of the StereoBlue are equipped with ergonomically designed flat bases, complete with two object clamps and Ø 60 mm transparent and black/white stage plate
- The coarse adjustment is equipped with tension control
- The ergonomic universal (single arm stand, U) and boom stand (dual arm, B) are ideal for viewing large samples or working under the microscope. They come without illumination
- The U- and B-stand can be equipped with ring illuminators LE.1974 and LE.1973 with respectively 72 or 144 power LEDs controlled in segments, ideal for creating or lifting shades
- The stands are alloy metal casted with hardened coating



● SB.1903



| | |
|---------------------|---|
| SB.1903 | 330 (h) x 220 (w) x 266 mm (d) 4.4 kg |
| SB.1903-P | 299 (h) x 220 (w) x 266 mm (d) 5.1 kg |
| SB.1302/SB.1402 | 330 (h) x 220 (w) x 266 mm (d) 4.0 kg |
| SB.1302-P/SB.1402-P | 299 (h) x 220 (w) x 266 mm (d) 4.7 kg |

ILLUMINATION

- With 3 W transmitted and incident LED illuminators which can be used simultaneously or adjusted separately
- SB.3903 and SB.3903-P models come with a built-in 30 LED ring light for reflexed illuminator and 3 W transmitted illuminator
- SB.1902-U, SB.1903-U, SB.1902-B and SB.1903-B are supplied without illumination. Suitable ring illuminators are LE.1973 and LE.1974



● Built-in LED ring light SB.3903

ANTI -THEFT SLOT

At the back of the microscope a Kensington

Security slot is placed, which can be used to secure the instrument from theft (not on the -U and B models)

PACKAGE CONTENT

Supplied with power cord, dust cover, eyecups, a spare fuse, Ø 60 mm transparent and black/ white stage plates and user manual

All packed in a polystyrene box

A spare fuse, Ø 60 mm transparent and black/ white stage plates are not applicable for -U and B models



APL (ANTIMICROBIAL PROTECTION LAYER)

Using the same technology already used extensively throughout the healthcare environment in wall coatings, patient lighting, air pressure stabilization and suction liners, APL prevents the growth of unwanted microbes that can cause degradation, discoloration, staining or odors of the Euromex microscopes

Magnifications

WORKING DISTANCES AND FIELD OF VIEW SPECIFICATIONS

EYEPIECES - 10X/21 MM

| Magnification additional lens | Working distance | Minimum magnification | Maximum magnification | Maximum field of view | Minimum field of view |
|-------------------------------|------------------|-----------------------|-----------------------|-----------------------|-----------------------|
| 0.5 | 170.0 | 3.5 | 22.5 | 59.9 | 9.3 |
| 0.75 | 114.0 | 5.3 | 33.8 | 40.0 | 6.2 |
| Standard | 100.0 | 7.0 | 45.0 | 30.0 | 4.6 |
| 1.5 | 48.0 | 10.5 | 67.5 | 19.9 | 3.1 |

EYEPIECES - 15X/15 MM

| Magnification additional lens | Working distance | Minimum magnification | Maximum magnification | Maximum field of view | Minimum field of view |
|-------------------------------|------------------|-----------------------|-----------------------|-----------------------|-----------------------|
| 0.5 | 170.0 | 5.3 | 33.8 | 42.9 | 6.7 |
| 0.75 | 114.0 | 7.9 | 50.6 | 28.6 | 4.4 |
| Standard | 100.0 | 10.5 | 67.5 | 21.4 | 3.3 |
| 1.5 | 48.0 | 15.8 | 101.3 | 14.3 | 2.2 |

EYEPIECES - 20X/10 MM

| Magnification additional lens | Working distance | Minimum magnification | Maximum magnification | Maximum field of view | Minimum field of view |
|-------------------------------|------------------|-----------------------|-----------------------|-----------------------|-----------------------|
| 0.5 | 170.0 | 7.0 | 45.0 | 28.6 | 4.4 |
| 0.75 | 114.0 | 10.5 | 67.5 | 19.0 | 3.0 |
| Standard | 100.0 | 14.0 | 90.0 | 14.3 | 2.2 |
| 1.5 | 48.0 | 21.0 | 135.0 | 9.5 | 1.5 |

| MODELS | Bino | Trino | 1x/3x objective | 2x/4x objective | 0.7 - 4.5x zoom | 0.5 - 5.5x (EVO) zoom | Rack & pinion stand 3 W LED | Pillar stand 3 W LED | Universal stand | Boom stand on heavy base plate | 30 LED right light | Weight (kg) |
|-----------|------|-------|-----------------|-----------------|-----------------|-----------------------|-----------------------------|----------------------|-----------------|--------------------------------|--------------------|-------------|
| SB.1302 | . | . | . | . | . | . | . | . | . | . | . | 3.3 |
| SB.1302-P | . | . | . | . | . | . | . | . | . | . | . | 4.2 |
| SB.1402 | . | . | . | . | . | . | . | . | . | . | . | 3.3 |
| SB.1402-P | . | . | . | . | . | . | . | . | . | . | . | 4.2 |
| SB.1902 | . | . | . | . | . | . | . | . | . | . | . | 3.6 |
| SB.1902-P | . | . | . | . | . | . | . | . | . | . | . | 4.4 |
| SB.1902-U | . | . | . | . | . | . | . | . | . | . | . | 15.4 |
| SB.1902-B | . | . | . | . | . | . | . | . | . | . | . | 21.9 |
| SB.1903 | . | . | . | . | . | . | . | . | . | . | . | 3.7 |
| SB.1903-P | . | . | . | . | . | . | . | . | . | . | . | 4.5 |
| SB.1903-U | . | . | . | . | . | . | . | . | . | . | . | 15.5 |
| SB.1903-B | . | . | . | . | . | . | . | . | . | . | . | 22.0 |
| SB.3903 | . | . | . | . | . | . | . | . | . | . | . | 3.7 |
| SB.3903-P | . | . | . | . | . | . | . | . | . | . | . | 4.5 |
| SB.1702 | . | . | . | . | . | . | . | . | . | . | . | 3.6 |
| SB.1702-P | . | . | . | . | . | . | . | . | . | . | . | 4.4 |
| SB.1702-U | . | . | . | . | . | . | . | . | . | . | . | 15.4 |
| SB.1702-B | . | . | . | . | . | . | . | . | . | . | . | 21.9 |
| SB.1703 | . | . | . | . | . | . | . | . | . | . | . | 3.7 |
| SB.1703-P | . | . | . | . | . | . | . | . | . | . | . | 4.5 |
| SB.1703-U | . | . | . | . | . | . | . | . | . | . | . | 15.5 |
| SB.1703-B | . | . | . | . | . | . | . | . | . | . | . | 22.0 |



● SB.1302



● SB.1402-P



● SB.3903



● SB.3903-P



● SB.1903-P



● SB.1703-P

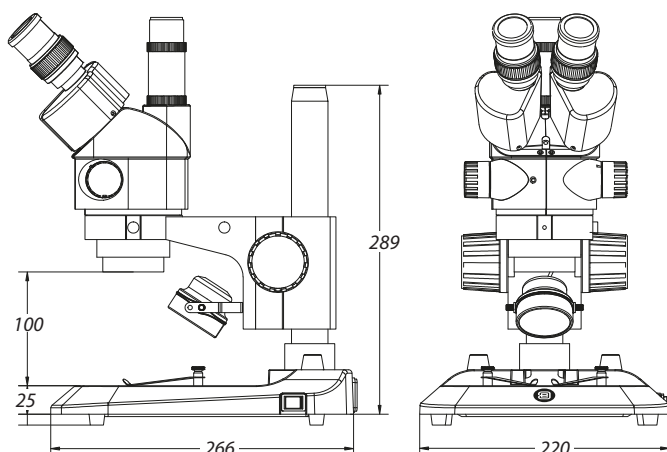


● SB.1902-U



● SB.1902-U

DIMENSIONS



ACCESSORIES AND SPARE PARTS

EYEPIECES

- SB.6210** Pair of WF 10x/21 mm eyepieces
- SB.6210-CWF** 10X/21 mm eyepiece with cross-hair
- SB.6210-M** WF 10X/21 mm eyepiece with micrometer scale
- SB.6015** Pair of WF 15x/15 mm eyepieces
- SB.6015-C** WF 15X/15 mm eyepiece with cross-hair
- SB.6015-M** WF 15X/15 mm eyepiece with micrometer scale
- SB.6020** Pair of WF 20x/10 mm eyepieces
- SB.6020-C** WF 20/10 mm eyepiece with cross-hair
- SB.6020-M** WF 20/10 mm eyepiece with micrometer scale
- SB.6099** Pair of eyecups

OBJECTIVES

- SB.8903** Auxiliary 0.3x lens for zoom models, WD 287 mm. Only suitable for boom and articulated stands
- SB.8905** Auxiliary 0.5x lens for zoom models, WD 179 mm.
Not suitable for SB.1X02, SB.1X03, SB.3903 and SB.3903-P
- SB.8907** Auxiliary 0.75x lens for zoom models WD 105 mm
- SB.8915** Auxiliary 1.5x lens for zoom models, working distance 53 mm. Not suitable for SB.39xx

MISCELLANEOUS

- SB.8950** Protection glass window for StereoBlue
- SB.9020** Universal single-arm stand, without StereoBlue head holder and without illumination
- SB.9030** Universal double-arm stand without head holder and without illumination
- SB.9032** Universal double-arm stand with table clamp without StereoBlue holder(SB.9090)
- SB.9090** StereoBlue head holder
- SB.9045** Fall protection ring for StereoBlue pillars. Note: the one- and double arm stands are as a standard supplied with this ring
- SB.9570** Pair of object clamps for stage
- SB.9952** Stage plate transparent, Ø 60 mm
- SB.9956** Stage plate black/white, Ø 60 mm
- SB.9983** 3 W LED replacement unit for StereoBlue, incident illumination
- SB.9983-R** 3 W LED replacement unit for StereoBlue, transmitted illumination
- AE.1112** Micrometer 76 x 26 mm slide, 50 mm/50 divisions

POLARIZATION ATTACHMENTS

- SB.9520** Polarization kit for StereoBlue: 360° rotatable round stage with built-in polarization filter (SB.9524) + analyzer in mount to be screwed under the head (SB.9525)
- SB.9524** 360° rotatable round stage with built-in polarization filter
- SB.9525** 360° rotatable analyzer in mount to be screwed under the head of StereoBlue

CAMERA ACCESSORIES

- SB.9850** C-mount adapter with 0.5x lens for 1/2" cameras.
Only for trinocular models
 - AE.5130** Universal SLR camera adapter with 2x projection lens for 23.2 mm tubes. Need T2 adapter
 - AE.5025** T2 adapter for Nikon D digital SLR cameras
 - AE.5040** T2 adapter for Canon EOS digital SLR cameras
- Other T2 adapters on request*

DISPOSABLES

- PB.5245** Lens cleaning paper, 100 sheets per pack
- PB.5274** Isopropyl alcohol 99% (200 ml)
- PB.5275** Cleaning kit: lens cleaning fluid, lint free lens tissue, brush, air blower, cotton swabs